

RITEX

Battery

Outdoor Ceiling Sensor Light



- Turns on when you get on/off the car in garage.
- Can bind to the ceiling with band easily.
- LED-165 has screws and magnet - attachable on the ceiling or wall.

ON/OFF softly
Size: H80×W175×D175

IP44

Standard Type LED-160

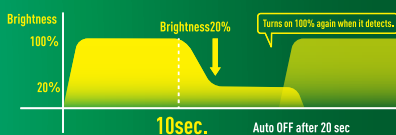


Brightness : Warm white 480lm
Lighting time : 20sec
Lights up only at night
Accessories : Stainless band

Long life
 D×3
Battery Lifetime
135days
(20sec.×10times/day)

480
lumen

- ON/OFF softly.
- Lights at 100% brightness for 10sec, and turns to 20% for 10sec.



For garage



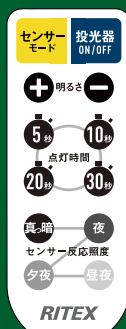
Advanced Type LED-165 With magnet



Sensor mode / Floodlight mode
Brightness : Warm white High 480lm / Middle 320lm / Low 160lm
Lighting time : 5sec / 10sec / 20sec / 30sec
Sensor detection illuminance : 4grades
Accessories : Stainless band, screws, plastic plugs

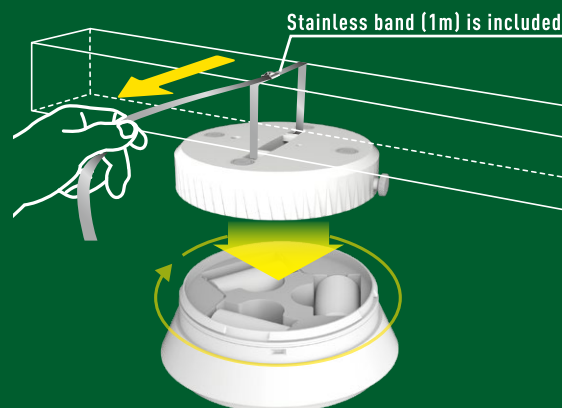
Long life
 D×3
Battery Lifetime
915days
(5sec.×10times/day)
*Brightness:low

480
lumen



With remote control

Easy installation - just wind the band



Item No.	Item name	Inner carton	Outer carton	Package	Package size(mm)	JAN
LED-160	Outdoor Ceiling Sensor Light (Standard type)	—	12	Box	W180×D90×H190	4 954849 531606
LED-165	Outdoor Ceiling Sensor Light (Advanced type)	—	12	Box	W180×D90×H190	4 954849 531651

musashi

551-1, Sato, Heiso-cho, Kakogawa City,
Hyogo Pref., 675-1232 Japan
global@musashi-mfg.com
URL: www.634634.jp/english/

Telephone: +81-50-3627-4900
Facsimile: +81-79-429-0333